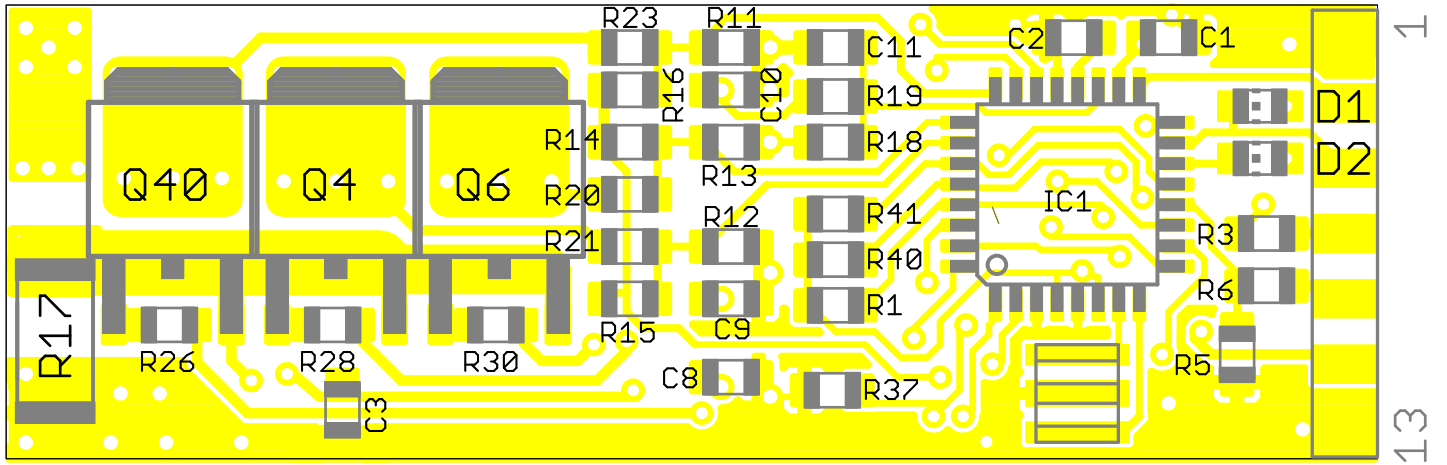


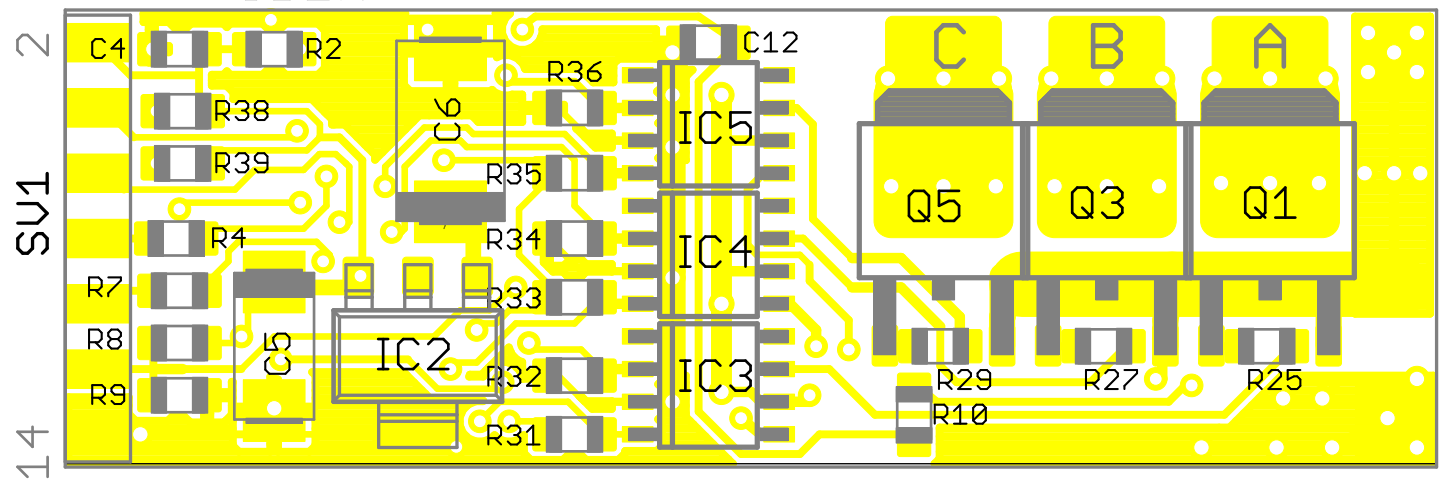
(c) 2008 BKonze/Quax

Datei: QUAX-4428_V01A	DG1SUA
mod.: 10.08.2008 17:16:30	Blatt: 1/1

UNTEN



OBEN



Stückliste QUAX-4428_V01A.sch am 10.08.2008

Menge	Wert	Device	Bauteile	REICHELT	SANDER
1	47µ-6,8V	TANTAL-SMC-C	C5		TANC-47µ-6,8V
1	47µ-16V	TANTAL-SMC-D	C6		TAND-47µ-16V
9	100n	C-SMD-0805	C1, C2, C3, C4, C8, C9, C10, C11, C12	X7R-G0805 100N;10	
6	51	R-SMD-0805	R25, R26, R27, R28, R29, R30	SMD-0805 47,0;10	
4	100	R-SMD-0805	R2, R3, R4, R7	SMD-0805 100;10	
5	1K	R-SMD-0805	R6, R10, R18, R38, R39	SMD-0805 1,00K;10	
3	4K7	R-SMD-0805	R11, R12, R13	SMD-0805 4,70K;10	
9	10K	R-SMD-0805	R1, R8, R31, R33, R35, R37, R40, R41	SMD-0805 10,0K;10	
9	22K	R-SMD-0805	R14, R15, R16, R19, R20, R21, R23, R32, R34, R36	SMD-0805 22,0K;10	
1	33K	R-SMD-0805	R9	SMD-0805 33,0K;10	
1	47K	R-SMD-0805	R5	SMD-0805 47,0K;10	
1	ATMEGA88-AU	ATMEGA88-AU	IC1	ATMEGA 8-16 TQ;1	
1	LM2940-V5,0	SOT223	IC2		LM2940-V5,0
3	TC4428	TC4428-SOI8	IC3, IC4, IC5		TC4428
3	FDD6637	DPACK	Q1, Q3, Q5		FDD6637
3	IRLR7843	DPACK	Q4, Q6, Q40		IRLR7843
1	GRÜN	CHIP-LED0805	D1	SMD-LED 0805 RT;1	
1	ROT	CHIP-LED0805	D2	SMD-LED 0805 GN;1	
1	16MHz	CSTLS_GCV	Q7		CSTLS_GCV/16MHz
1	0R01	R-SMC_R2512	R17		R-SMC_R2512/0R01

Stückliste QUAX-4428_V01A.sch am 10.08.2008

Bauteil	Wert	Device	Package	Description
C1	100n	C-EUJK	805	
C2	100n	C-EUJK	805	
C3	100n	C-EUJK	805	
C4	100n	C-EUJK	805	
C5	47µ/6,8V	CPOL-EUSMCC	SMC_C	
C6	47µ/16V	CPOL-EUSMCD	SMC_D	
C8	100n	C-EUJK	805	
C9	100n	C-EUJK	805	
C10	100n	C-EUJK	805	
C11	100n	C-EUJK	805	
C12	100n	C-EUJK	805	
D1	CHIP-LED-0805	CHIP-LED0805	LED	
D2	CHIP-LED-0805	CHIP-LED0805	LED	
IC1	ATMEGA88-AU	ATMEGA88-AU	TQFP32-08	
IC2	LM2940	LM2940G	SO223G	
IC3	TC4428	TC4428SOI8	SOIC8	
IC4	TC4428	TC4428SOI8	SOIC8	
IC5	TC4428	TC4428SOI8	SOIC8	
Q1	FDD6637	IRF_5305	TO252	HEXFET Power MOSFET
Q3	FDD6637	IRF_5305	TO252	HEXFET Power MOSFET
Q4	IRLR7843	IRFR1205	TO252	HEXFET Power MOSFET
Q5	FDD6637	IRF_5305	TO252	HEXFET Power MOSFET
Q6	IRLR7843	IRFR1205	TO252	HEXFET Power MOSFET
Q7	16MHz	CSTLS_GCV	CSTCV	Ceramic Resonator
Q40	IRLR7843	IRFR1205	TO252	HEXFET Power MOSFET
R1	10K	R-EU_	805	
R2	100	R-EU_	805	
R3	100	R-EU_	805	
R4	100	R-EU_	805	
R5	47K	R-EU_	805	
R6	1K	R-EU_	805	
R7	100	R-EU_	805	
R8	10K	R-EU_	805	
R9	33K	R-EU_	805	
R10	1K	R-EU_	805	
R11	4K7	R-EU_	805	
R12	4K7	R-EU_	805	
R13	4K7	R-EU_	805	
R14	22K	R-EU_	805	
R15	22K	R-EU_	805	
R16	22K	R-EU_	805	
R17	0R01	R-EU_R2512	R2512	
R18	1K	R-EU_	805	
R19	10K	R-EU_	805	
R20	22K	R-EU_	805	
R21	22K	R-EU_	805	
R23	22K	R-EU_	805	
R25	51	R-EU_	805	
R26	51	R-EU_	805	
R27	51	R-EU_	805	
R28	51	R-EU_	805	
R29	51	R-EU_	805	
R30	51	R-EU_	805	
R31	10K	R-EU_	805	
R32	22K	R-EU_	805	
R33	10K	R-EU_	805	
R34	22K	R-EU_	805	
R35	10K	R-EU_	805	
R36	22K	R-EU_	805	
R37	10K	R-EU_	805	
R38	1K	R-EU_	805	
R39	1K	R-EU_	805	
R40	10K	R-EU_	805	
R41	10K	R-EU_	805	
Software	http://home.versanet.de/~b-konze			
Sonderbauteile	http://www.sander-electronic.de/bs0005.html			